

UD Series Solenoid Valve



● UD-10

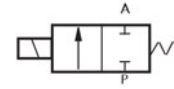


● UD-8



● UD-6

■ Graphic Sign



● Ordering Code

UD	6	H	AC220V
UD Series	Port Size: 6 : G1/8 8 : G1/4 10 : G3/8	Blank: Norma Type H: High Temperature Type	Standard Voltage: AC24V AC110V AC220V DC12V DC24V

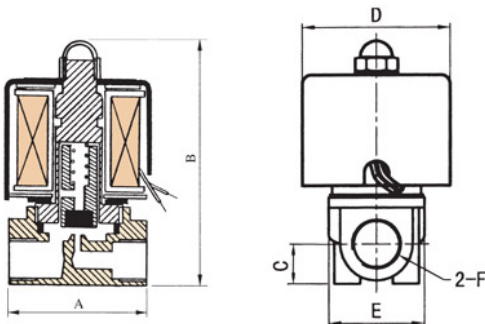
■ Specific Property:

This valve has direct action type piston and quick action, with multiple purposes, high efficiency, long service life, good waterproof performance, multiple wiring directions and handsome shape.

■ Technical Parameter

Item \ Specification	UD-6			UD-8			UD-10		
Material of Body	Brass								
Operating Method	Direct Action Type								
Pipe Size	G1/8			G1/4			G3/8		
Nominal Diameter (mm)	2.5			2.5			4		
Applicable Fluid	Air, Water, Oil (below 50CST), Steam								
Pressure Range	0 ~ 1.0MPa								
Applicable Temperature	Normal Type : -5 ~ 99°C ;						High-Temperature Type : -5 ~ 185°C		
Specified Voltage	AC12V	AC24V	AC36V	AC110V	AC220V	AC380V	DC12V	DC24V	DC110V
Power	8W	8 W	8 W	11 W	9 W	9W	11 W	11 W	11 W
Operating Voltage Range	±15%								
Min. Activating Time	0.05S								

■ Figure Dimension



Dimension	A	B	C	D	E	F
UD-6	40	76	10	φ 42	29.5	G1/8
UD-8	40	76	10	φ 42	29.5	G1/4
UD-10	53	93	12	φ 50	31.5	G3/8

UZ Series Solenoid Valve



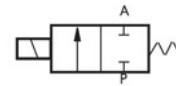
● UZ-A-06



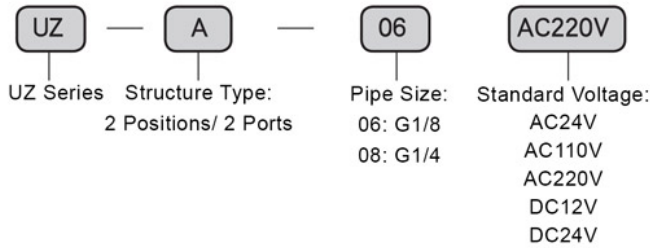
● UZ-A-08

■ Graphic Sign

● UZ-A-06, 08



● Ordering Code



■ Specific Property:

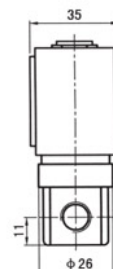
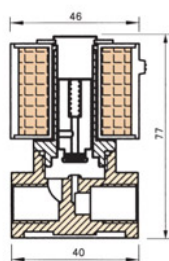
This valve has direct action type piston and quick action, with multiple purposes, high efficiency, long service life, good waterproof performance, multiple wiring directions and handsome shape.

■ Technical Parameter

Item \ Specification	UZ-A-06			UZ-A-08					
Material of Body	Brass								
Operating Method	Direct Action Type								
Pipe Size	G1/8			G1/4					
Nominal Diameter (mm)	2.5			2.5					
Applicable Fluid	Air, Water, Oil (below 50CST)								
Pressure Range	0 ~ 1.0MPa								
Applicable Temperature	Normal Type : -5 ~ 99°C								
Specified Voltage	AC12V	AC24V	AC36V	AC110V	AC220V	AC380V	DC12V	DC24V	DC110V
Power	7.5W	7.5 W	8 W	7.5 W	7.5 W	8 W	10 W	10 W	10W
Operating Voltage Range	±15%								
Min. Activating Time	0.05S								

■ Figure Dimension

● UZ-A-06, 08



UZ Series Solenoid Valve



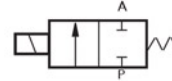
● UZ-B-06, 08, 10



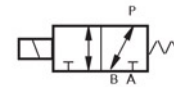
● UZ-C-06, 08, 10

Graphic Sign

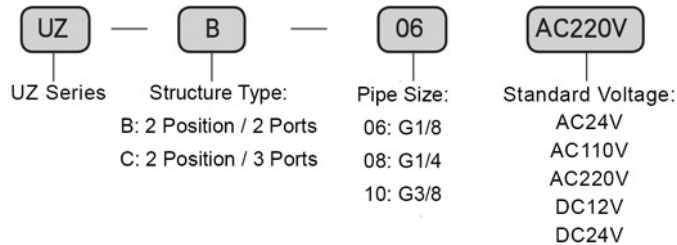
● UZ-B-06, 08, 10



● UZ-C-06, 08, 10



Ordering Code



Specific Property:

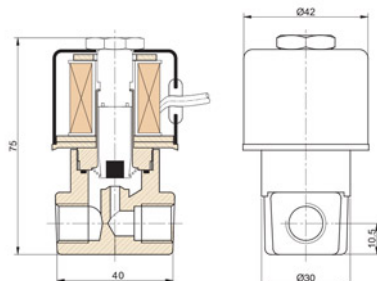
This valve has direct action type piston and quick action, with multiple purposes, high efficiency, long service life, good waterproof performance, multiple wiring directions and handsome shape.

Technical Parameter

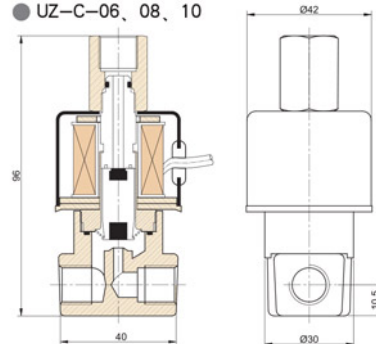
Item \ Specification	UZ-B-06/UZ-C-06			UZ-B-08/UZ-C-08			UZ-B-10/UZ-C-10		
Material of Body	Brass								
Operating Method	Direct Action Type								
Pipe Size	G1/8			G1/4			G3/8		
Nominal Diameter (mm)	2.5			2.5			2.5		
Applicable Fluid	Air, Water, Oil (below 50CST)								
Pressure Range	0 ~ 1.0MPa								
Applicable Temperature	Normal Type : -5 ~ 99°C								
Specified Voltage	AC12V	AC24V	AC36V	AC110V	AC220V	AC380V	DC12V	DC24V	DC110V
Power	8W	8 W	8 W	11 W	9 W	9W	11 W	11 W	11 W
Operating Voltage Range	± 15%								
Min. Activating Time	0.05S								

Figure Dimension

● UZ-B-06, 08, 10



● UZ-C-06, 08, 10



UW-C Series Solenoid Valve



● UW-C-10

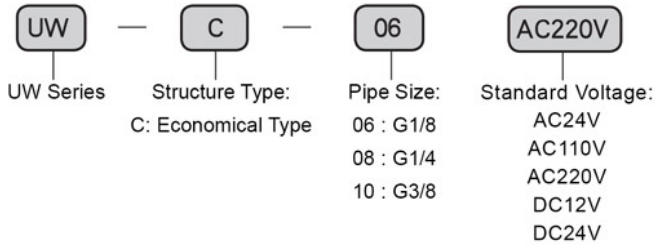


● UW-C-08



● UW-C-06

● Ordering Code



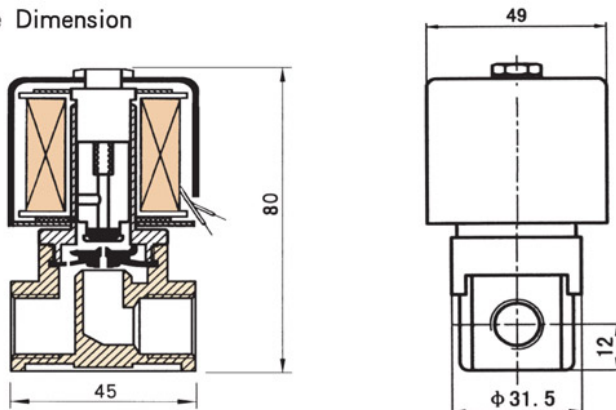
■ Specific Property :

This guiding type valve adopts the diaphragm seal structure, with quick action, large flow, simple structure, easy maintenance, good waterproof performance and multiple wiring directions.

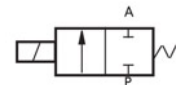
■ Technical Parameter

Item \ Specification	UW-C-06			UW-C-08			UW-C-10		
Material of Body	Brass								
Operating Method	Film Pilot								
Pipe Size	G1/8			G1/4			G3/8		
Nominal Diameter (mm)	8			10			10		
Applicable Fluid	Air, Water, Oil (below 50CST)								
Pressure Range	0 ~ 0.8MPa								
Applicable Temperature	-5 ~ 99°C								
Specified Voltage	AC12V	AC24V	AC36V	AC110V	AC220V	AC380V	DC12V	DC24V	DC110V
Power	11 W	11W	10W	12 W	12W	11W	20 W	20 W	20 W
Operating Voltage Range	± 15%								
Min. Activating Time	0.05S								

■ Figure Dimension



■ Graphic Sign



UX/UM Series Solenoid Valve



● UM-22L



● UX22-2L



● UX23-2L

■ Specific Property:

This valve has direct action type piston and quick action, with multiple purposes, high efficiency, long service life, good waterproof performance, multiple wiring directions and handsome shape.

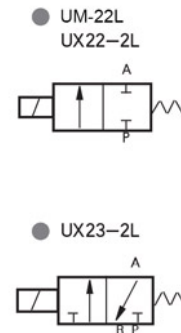
■ Technical Parameter

Item) \ Specification	UM-22L			UX22-2L, UX22-2L			UX23-2L, UX23-2L		
Material of Body	Copper			Copper					
Operating Method	Direct Action Type								
Pipe Size	φ 3 管			G1/8			G1/8		
Nominal Diameter (mm)	1			2.5			2.5		
Applicable Fluid	Air , Water								
Pressure Range	0 ~ 1.0MPa								
Applicable Temperature	-5 ~ 99°C								
Specified Voltage	AC12V	AC24V	AC36V	AC110V	AC220V	AC380V	DC12V	DC24V	DC110V
Power	10 W	10 W	10W	10 W	10 W	10 W	10 W	10 W	10 W
Operating Voltage Range	± 15%								
Min. Activating Time	0.05S								

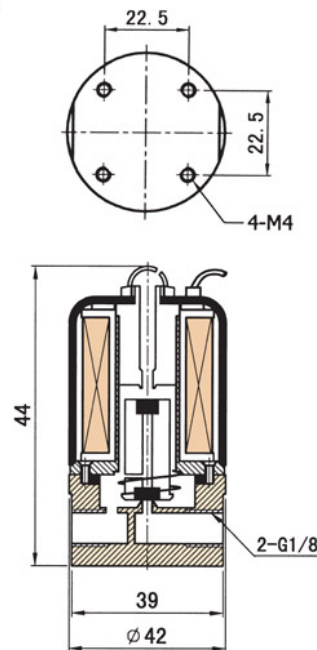
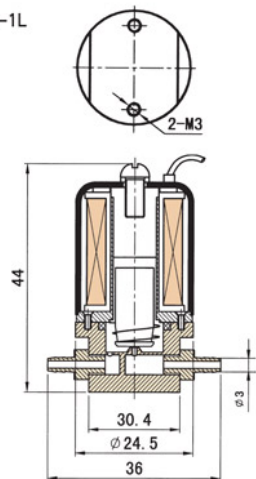
● Ordering Code

UX	22	—	1L	AC220V
UM / UX Series	Structure Type:		Pipe Type:	Standard Voltage:
	22: 2 Position/ 2 Ports		1L:	AC24V
	23: 2 Position/ 3 Ports		2L: G1/8	AC110V
				AC220V
				DC12V
				DC24V

■ Graphic Sign



● UX22-1L



UF Series Solenoid Valve



● UF-10

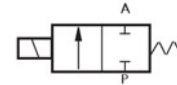


● UF-08

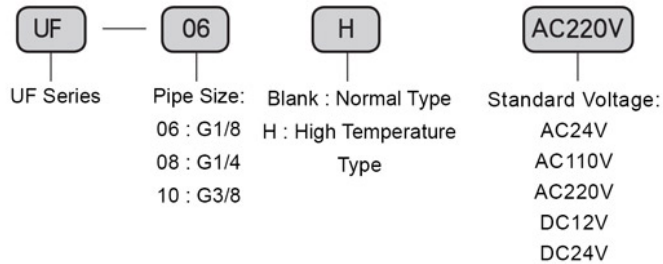


● UF-06

■ Graphic Sign



● Ordering Code



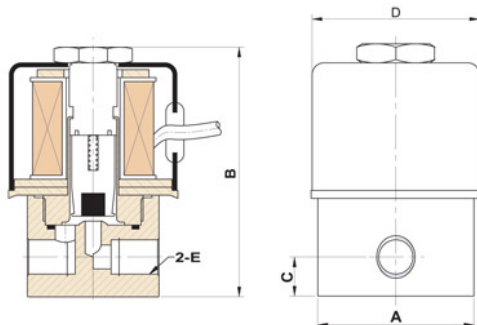
■ Specific Property:

This valve has direct action type piston and quick action. The body adopts stainless steel, with anticorrosion, high efficiency, long service life, good waterproof performance and multiple wiring directions.

■ Technical Parameter

Item \ Specification	UF-06			UF-08			UF-10		
Material of Body	Stainless Steel								
Operating Method	Direct Action Type								
Pipe Size	G1/8			G1/4			G3/8		
Nominal Diameter (mm)	3						3.5		
Applicable Fluid	Air, Water, Oil (below 50CST), Steam, Chemicals								
Pressure Range	0 ~ 1.0MPa								
Applicable Temperature	Normal Type : -5 ~ 99°C ;						High-Temperature Type : -5 ~ 185°C		
Specified Voltage	AC12V	AC24V	AC36V	AC110V	AC220V	AC380V	DC12V	DC24V	DC110V
Power	8W	8W	8W	12 W	11W	9W	11 W	11 W	11 W
Operating Voltage Range	±15%								
Min. Activating Time	0.05S								

■ Figure Dimension



Dimension	A	B	C	D	E
UF-06	φ 37.5	65	10	42	G1/8
UF-08	φ 37.5	68	10	42	G1/4
UF-10	φ 41.5	72	12	42	G3/8

US Series High Temperature Solenoid Valve



● US-50

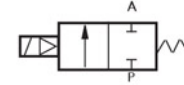


● US-25



● US-15

■ Graphic Sign



● Ordering Code

<div style="border: 1px solid black; border-radius: 10px; padding: 2px 10px; display: inline-block;">US</div>	—	<div style="border: 1px solid black; border-radius: 10px; padding: 2px 10px; display: inline-block;">10</div>	—	<div style="border: 1px solid black; border-radius: 10px; padding: 2px 10px; display: inline-block;">AC220V</div>
US Series		Pipe Size:		Standard Voltage:
		10 : ZG3/8		AC24V
		15 : ZG1/2		AC110V
		20 : ZG3/4		AC220V
		25 : ZG1		DC12V
		35 : ZG1 1/4		DC24V
		40 : ZG1 1/2		
		50 : ZG2		

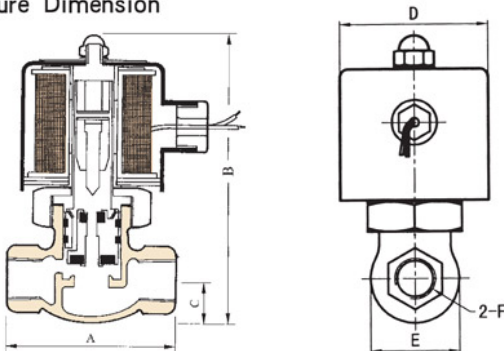
■ Specific Property:

It adopts teflon hard seal structure, with reliable performance, anticorrosion, high-temperature resistance, large flow, high pressure, good waterproof performance and multiple wiring directions.

■ Technical Parameter

Item \ Specification	US-10	US-15	US-20	US-25	US-35	US-40	US-50		
Material of Body	Foundry								
Operating Method	Plunger Pilot								
Pipe Size	ZG3/8	ZG1/2	ZG3/4	ZG1	ZG1 1/4	ZG1 1/2	ZG2		
Nominal Diameter) (mm)	17	17	17	20	30	30	50		
Applicable Fluid	Air, Water, Oil (below 50CST), Steam								
Pressure Range	0.05 ~ 1.5MPa								
Applicable Temperature	-5 ~ 185°C								
Specified Voltage	AC12V	AC24V	AC36V	AC110V	AC220V	AC380V	DC12V	DC24V	DC110V
Power	22W	22W	22W	20 W	20W	20W	48 W	44 W	45W
Operating Voltage Range	±10%								
Min. Activating Time	0.05S								
Install Method	Horizontal Fixing								

■ Figure Dimension



Dimension	A	B	C	D	E	F
US-10	83	146	21	φ 70	42	ZG3/8
US-15	83	146	21	φ 70	42	ZG1/2
US-20	83	146	21	φ 70	42	ZG3/4
US-25	90	162	26	φ 70	52	ZG1
US-35	110	183	36	φ 70	74	ZG1 1/4
US-40	110	183	36	φ 70	74	ZG1 1/2
US-50	163	223	47	φ 70	95	ZG2

UW Series Solenoid Valve



● UW-50

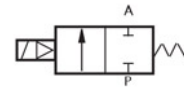


● UW-25



● UW-10

■ Graphic Sign



● Ordering Code

UW	—	10		AC220V
UW Series		Pipe Size:		Standard Voltage:
		10 : ZG3/8		AC24V
		15 : ZG1/2		AC110V
		20 : ZG3/4		AC220V
		25 : ZG1		DC12V
		35 : ZG1 1/4		DC24V
		40 : ZG1 1/2		
		50 : ZG2		

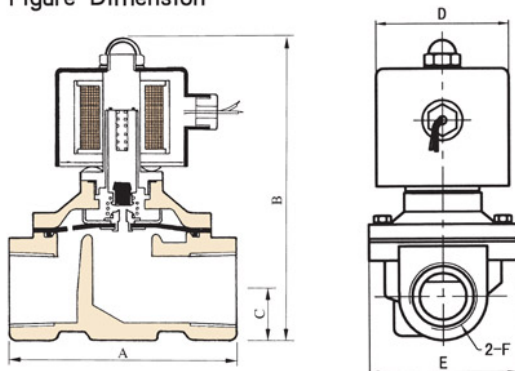
■ Specific Property:

This guiding type valve adopts the diaphragm seal structure, with zero differential pressure starting function, large flow, simple structure, easy maintenance, good waterproof performance and multiple wiring directions.

■ Technical Parameter

Item \ Specification	UW-10	UW-15	UW-20	UW-25	UW-35	UW-40	UW-50		
Material of Body	Foundry								
Operating Method	Film Pilot								
Pipe Size	ZG3/8	ZG1/2	ZG3/4	ZG1	ZG1¼	ZG1½	ZG2		
Nominal Diameter (mm)	16	20	20	25	37	37	50		
Applicable Fluid	Air, Water, Oil (below 50CST)								
Pressure Range	0 ~ 0.8MPa								
Applicable Temperature	-5 ~ 99°C								
Specified Voltage	AC12V	AC24V	AC36V	AC110V	AC220V	AC380V	DC12V	DC24V	DC110V
UW10-25 Power	11W	11W	10W	12 W	12W	12W	20 W	20 W	20 W
UW35-50 Power	22W	22W	22W	20 W	20W	20W	48 W	44 W	45 W
Operating Voltage Range	± 10%								
Min. Activating Time	0.05S								
Install Method	Horizontal Fixing								

■ Figure Dimension



Dimension	A	B	C	D	E	F
UW-10	69	117	16	φ 50	57	ZG3/8
UW-15	69	117	16	φ 50	57	ZG1/2
UW-20	74	124	17	φ 50	57	ZG3/4
UW-25	99	135	23	φ 50	73	ZG1
UW-35	123	172	30	φ 70	95	ZG1¼
UW-40	123	172	30	φ 70	95	ZG1½
UW-50	168	209	37	φ 70	123	ZG2

UWS Series Solenoid Valve



● UWS-50

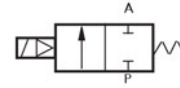


● UWS-25

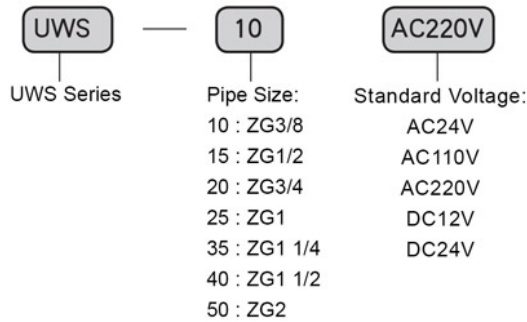


● UWS-15

■ Graphic Sign



● Ordering Code



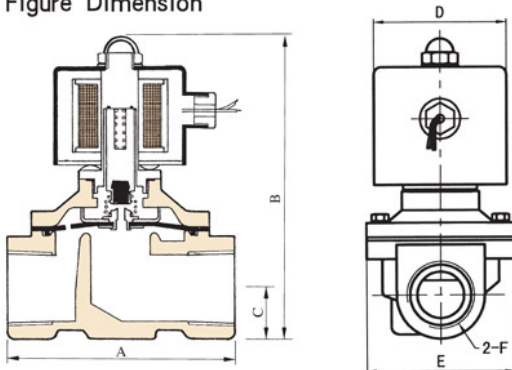
■ Specific Property:

This guiding type valve adopts the diaphragm seal structure, with zero differential pressure starting function. The body adopts stainless steel, with anticorrosion, large flow, simple structure, easy maintenance, good waterproof performance and multiple wiring directions.

■ Technical Parameter

Item \ Specification	UWS-10	UWS-15	UWS-20	UWS-25	UWS-35	UWS-40	UWS-50		
Material of Body	Stainless Steel								
Operating Method	Film Pilot								
Pipe Size	ZG3/8	ZG1/2	ZG3/4	ZG1	ZG1¼	ZG1½	ZG2		
Nominal Diameter (mm)	16	20	20	25	37	37	50		
Applicable Fluid	Air, Water, Oil (below 50CST), Steam, Chemicals								
Pressure Range	0 ~ 0.8MPa								
Applicable Temperature	-5 ~ 99°C								
Specified Voltage	AC12V	AC24V	AC36V	AC110V	AC220V	AC380V	DC12V	DC24V	DC110V
UW10-25 Power	11W	11W	10W	12W	12W	12W	20W	20W	20W
UW35-50 Power	22W	22W	22W	20W	20W	20W	48W	44W	45W
Operating Voltage Range	±10%								
Min. Activating Time	0.05S								
Install Method	Horizontal Fixing								

■ Figure Dimension



Dimension	A	B	C	D	E	F
UWS-10	69	117	16	φ 50	57	ZG3/8
UWS-15	69	117	16	φ 50	57	ZG1/2
UWS-20	74	124	17	φ 50	57	ZG3/4
UWS-25	99	135	23	φ 50	73	ZG1
UWS-35	123	172	30	φ 70	95	ZG1¼
UWS-40	123	172	30	φ 70	95	ZG1½
UWS-50	168	209	37	φ 70	123	ZG2