

4V Series Solenoid Valve

4V Series Solenoid Valve:

It is a pneumatic valve controlled by micro electric signal with small dimension, large flow, handsome shape, reliable performance and long service life. It can be installed in integration. It is an ideal directional control element, applicable to the electromechanical integration. There are multiple specifications for your choice.

Ordering Code

4V	1	10	06	AC220V
4V Series: 2 Position / 5 Ports (5/2 Way)	Series Code: 1: 100 Series 2: 200 Series 3: 300 Series 4: 400 Series	Control Form: 10: Single Solenoid Operated 20: Double Solenoid Operated	Pipe Size: 06: G1/8 08: G1/4 10: G3/8 15: G1/2	Standard Voltage: DC12V DC24V AC24V AC110V AC220V

Technical Parameter

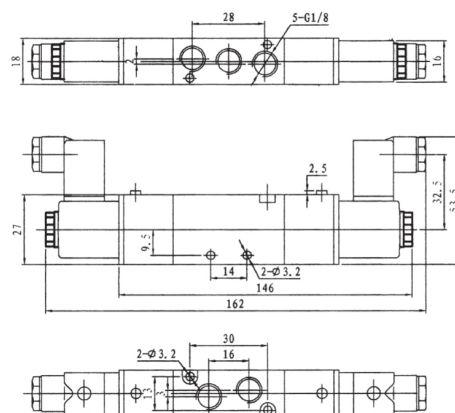
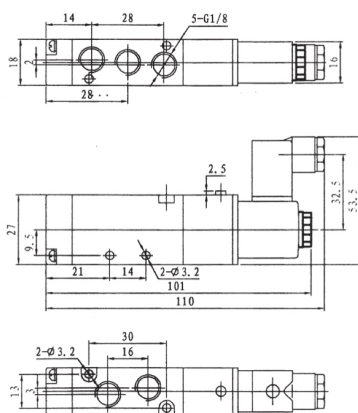
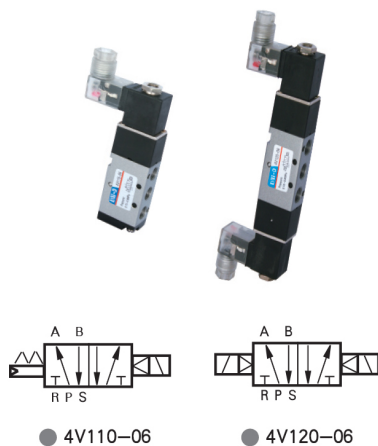
Specification Model	Structure Type	Pipe Thread	Normal Diameter (mm)	Applicable Fluid	Pressure Range	Operating Method	Max.Action Frequency	Lubrication	Applicable Temperature	Power
4V110-06	2 Position/ 5 Ports (5/2 Way)	G1/8	6	Compressed Air	0.15 ~ 0.8 Mpa	Internally Piloted	5 Cycles/Sec	No Need	-5 ~ 50°C	AC220V= 2.8W DC24V= 2.6W
4V120-06		G1/8	6							AC220V= 4.3W DC24V= 4W
4V210-08		G1/4	8							
4V220-08		G1/4	8							
4V310-10		G3/8	10							
4V320-10		G3/8	10							
4V410-15		G1/2	15							
4V420-15		G1/2	15							

Figure Dimension

4V Series 2 Position / 5 Ports Solenoid Valve

4V110-06

4V120-06



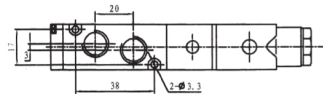
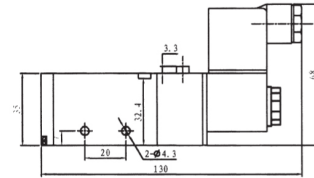
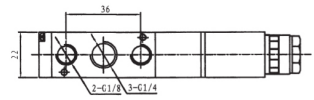
4V Series
2 Position / 5 Ports Solenoid Valve



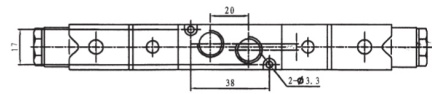
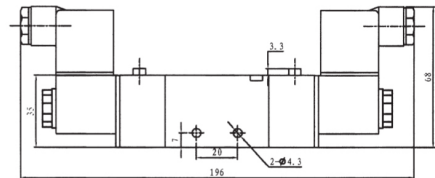
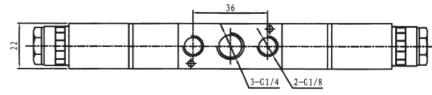
● 4V210-08

● 4V220-08

● 4V210-08



● 4V220-08



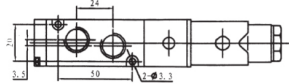
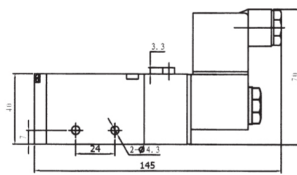
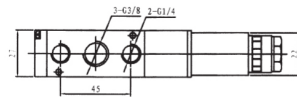
4V Series
2 Position / 5 Ports Solenoid Valve



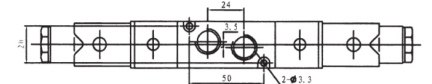
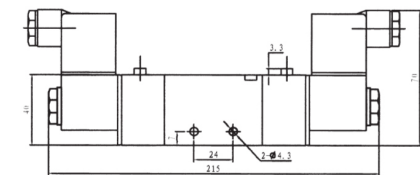
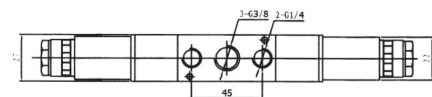
● 4V310-10

● 4V320-10

● 4V310-10



● 4V320-10



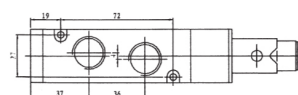
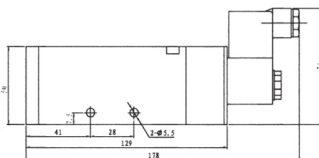
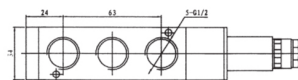
4V Series
2 Position / 5 Ports Solenoid Valve



● 4V410-15

● 4V420-15

● 4V410-15



● 4V420-15

