

US Series High Temperature Solenoid Valve



● US-50

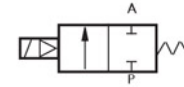


● US-25



● US-15

■ Graphic Sign



● Ordering Code

US	—	10	AC220V
US Series		Pipe Size:	Standard Voltage:
		10 : ZG3/8	AC24V
		15 : ZG1/2	AC110V
		20 : ZG3/4	AC220V
		25 : ZG1	DC12V
		35 : ZG1 1/4	DC24V
		40 : ZG1 1/2	
		50 : ZG2	

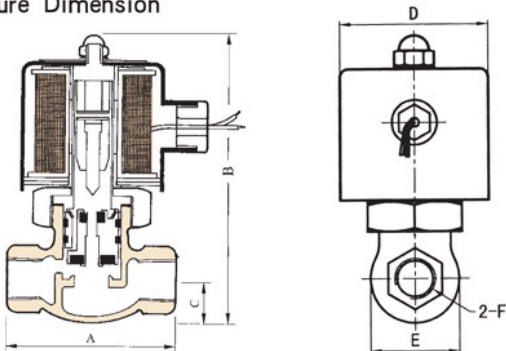
■ Specific Property:

It adopts teflon hard seal structure, with reliable performance, anticorrosion, high-temperature resistance, large flow, high pressure, good waterproof performance and multiple wiring directions.

■ Technical Parameter

Item \ Specification	US-10	US-15	US-20	US-25	US-35	US-40	US-50		
Material of Body	Foundry								
Operating Method	Plunger Pilot								
Pipe Size	ZG3/8	ZG1/2	ZG3/4	ZG1	ZG1 1/4	ZG1 1/2	ZG2		
Nominal Diameter) (mm)	17	17	17	20	30	30	50		
Applicable Fluid	Air, Water, Oil (below 50CST), Steam								
Pressure Range	0.05 ~ 1.5MPa								
Applicable Temperature	-5 ~ 185°C								
Specified Voltage	AC12V	AC24V	AC36V	AC110V	AC220V	AC380V	DC12V	DC24V	DC110V
Power	22W	22W	22W	20 W	20W	20W	48 W	44 W	45W
Operating Voltage Range	±10%								
Min. Activating Time	0.05S								
Install Method	Horizontal Fixing								

■ Figure Dimension



Dimension	A	B	C	D	E	F
US-10	83	146	21	φ 70	42	ZG3/8
US-15	83	146	21	φ 70	42	ZG1/2
US-20	83	146	21	φ 70	42	ZG3/4
US-25	90	162	26	φ 70	52	ZG1
US-35	110	183	36	φ 70	74	ZG1 1/4
US-40	110	183	36	φ 70	74	ZG1 1/2
US-50	163	223	47	φ 70	95	ZG2