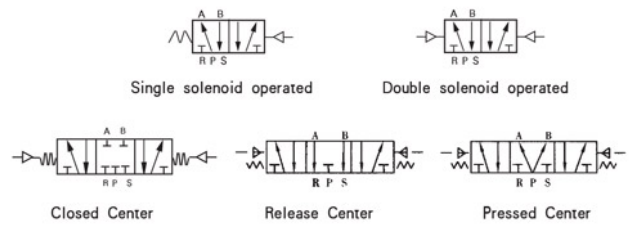
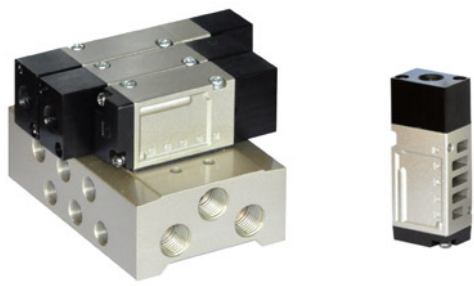


TG series bottom connected air control valve

● Character

Valve body is Bottom connected structure, air inlet and air outlet are on the same plane, you can connect directly without pipe joint and other accessories. Multi-valves in series are valve terminal. Valve body is fabricated by pressure casting; inner bore is adopting special processing technology, small frictional drag, and high flow capacity.



● Ordering Code

TG	25	1	1A	C	—	06	MD
Function 25: 2 Positions/5Ports 35: 3 Positions/5Ports		Connection Code 1: 1/8 2: 1/4	Control Form 1A: Single Air Operated 2A: Double Air Operated	Working Mode: No Mark: 2 Positions C: 3 Positions Closed Center E: 3 Positions Release Center P: 3 Positions Pressed Center		Pipe Size 06: G1/8 08: G1/4	Connecting type MD: bottom connection type

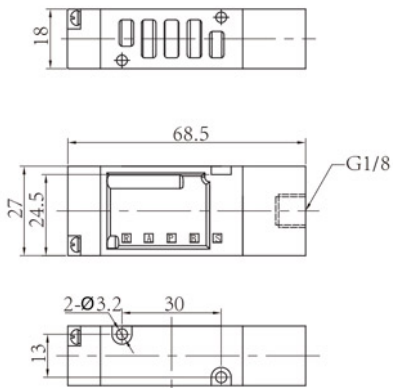
■ Technical Parameter

Item	Function	Pipe Size	Nominal Diameter (mm)	Applicable Medium	Applicable Pressure Range	Operating Method	Max Action Frequency	Lubrication	Medium Temperature
TG2511A-06MD	2 Positions/5Ports	G1/8	4	Air	0.15 ~ 0.8 MPa	Internally Piloted	5 Cycles/Sec	Needless	-5 ~ 60°C
TG2512A-06MD		G1/8	4						
TG2521A-08MD		G1/4	4.5						
TG2522A-08MD		G1/4	4.5						
TG3512AC.E.P-06MD	3 Positions/5Ports	G1/8	3.5	Air	0.2 ~ 0.8 MPa	Internally Piloted	3 Cycles/Sec	Needless	-5 ~ 60°C
TG3522AC.E.P-08MD		G1/4	4						

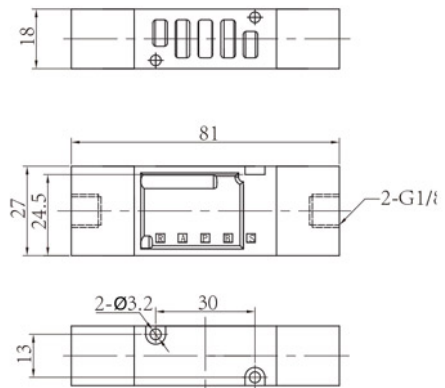
Figure Dimension

TG series bottom connected air control valve

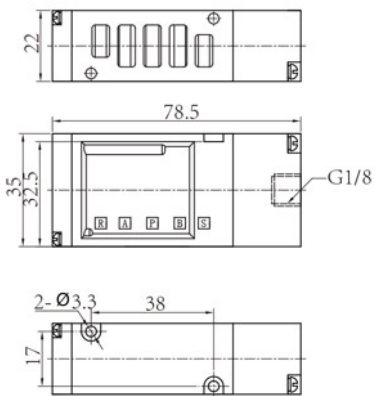
● TG2511A-06MD



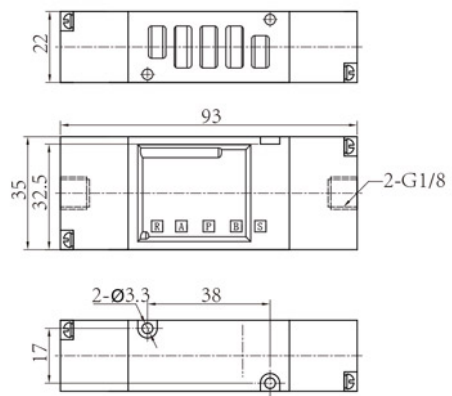
● TG2512A-06MD



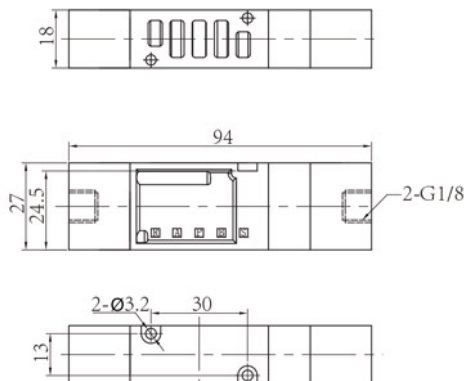
● TG2521A-08MD



● TG2522A-08MD



● TG3512AC.E.P-06MD



● TG3522AC.E.P-08MD

