

## FYML Series Bottom Joint Type Solenoid Valve



FYML-01

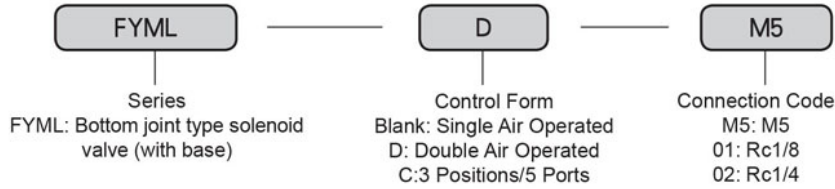


FYML-D-M5

● Character

Valve body is Bottom connected structure, air inlet and air outlet are on the same plane, you can connect directly without pipe joint and other accessories. Multi-valves in series are valve terminal. Valve body is fabricated by pressure casting; inner bore is adopting special processing technology, small frictional drag, and high flow capacity.

● Ordering Code

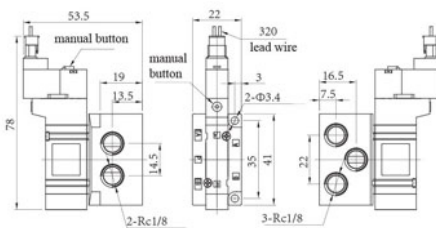


■ Technical Parameter

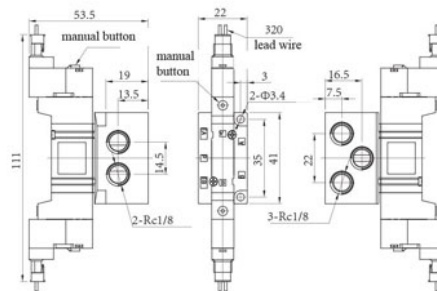
Specification	Item	Function	Pipe Size	Applicable Medium	Applicable Pressure Range	Lubrication	Medium Temperature	Power
FYML-M5		2 Positions/ 5Ports	M5	Air	0.15 ~ 0.7 MPa	Needless	-5 ~ 60°C	0.8W
FYML-D-M5			M5					
FYML-01			Rc1/8					
FYML-D-01			Rc1/8					
FYML-02			Rc1/4					
FYML-D-02			Rc1/4					
FYMLC-D-M5		3 Positions/ 5Ports	M5	Air	0.15 ~ 0.7 MPa	Needless	-5 ~ 60°C	0.8W
FYMLC-D-01			Rc1/8					
FYMLC-D-02			Rc1/4					

■ Figure Dimension

● FYML-M5



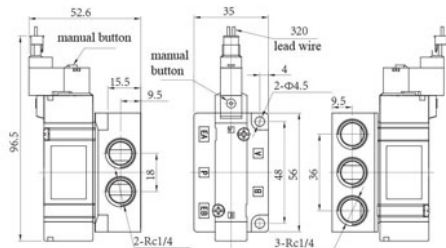
● FYML-D-M5



FYML Series Bottom Joint Type Solenoid Valve

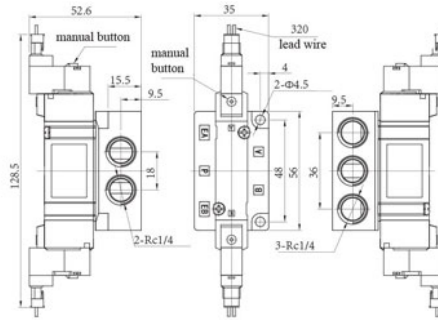
Figure Dimension

● FYML-01

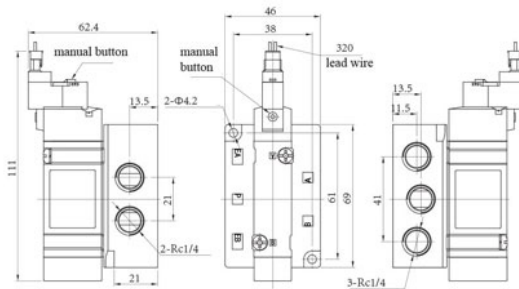


lead wire

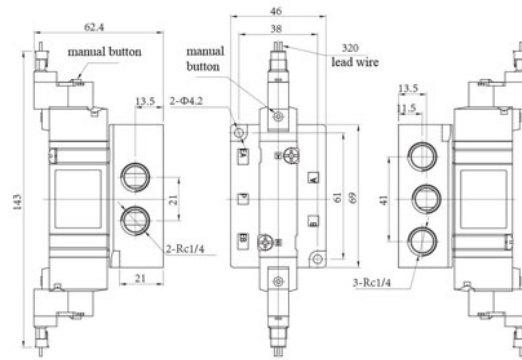
● FYML-D-01



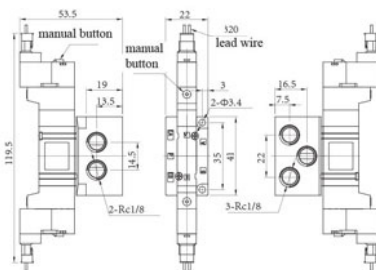
● FYML-02



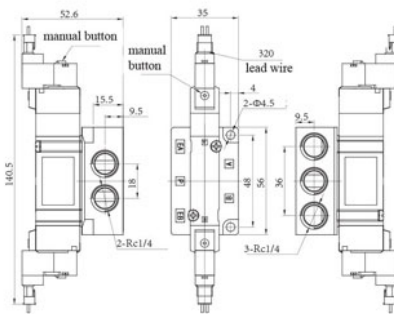
● FYML-D-02



● FYML-C-M5



● FYML-C-01



● FYML-C-02

