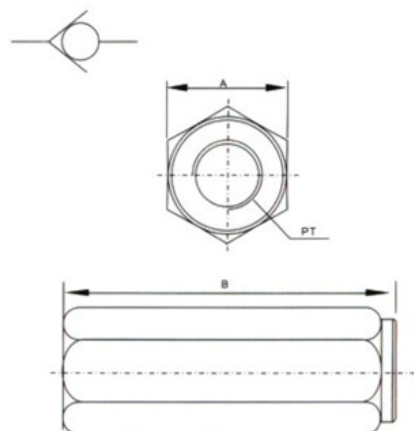


## ■ Check Valve



### Dimensions

Model	Port Size (PT)	A mm	B mm	Flow l/min	Max. Pressure (kgf/cm <sup>2</sup> )	Weight (g)
CIT-02	1/4"	19	52	30	250	105
CIT-03	3/8"	24	72	40		205
CIT-04	1/2"	30	79	60		350
CIT-06	3/4"	36	90	100		520
CIT-08	1"	46	109	150		1085
CIT-10	1-1/4"	55	120	200		1600
CIT-12	1-1/2"	60	120	280		1940